

EMORE HORN Machinery inc.

The Blower Expert Original From Taiwan

臺灣風機專家



升鴻機械設備有限公司
EMORE HORN Machinery inc.



EMORE HORN
— 升鴻機電 —

The Blower Expert Original From Taiwan 臺灣風機專家

Company Introduction



General Manager Of Emorehorn
Machinery Inc

The company was registered and established as Quanjin Hardware Factory in Taipei County Taiwan in 1969. At the early days when the factory was established, the company focused on the machining, die-casting processing, electric equipment and motors. Due to the good reputation in the market and the support of customers, the company set up the branch in Tainan County under the situation that the demand exceeded supply for increasing the output and quality control in 1981. In 1994, the company established a hand-tools Factory again in Ningbo, Zhejiang Province. With the ripe experiences in the processing of electric equipments and motors for more than 40 years, combined with the professional technology and abundant experiences of General Manager Tony Chen in the field of side channel, ring blowers, root blower and vacuum pump, the company established the production line of side channel, ring blowers and root blower in 2006. Mr Tony Chen, who is experienced in the fields of side channel, ring blowers, root blower and vacuum pump, is the sole executive with the professional technology and experiences from international factory among all blower machine factories in China at present.

He was the chief engineer in Blower Department of German Rietschle and had 20-year experiences in the professional technology of blower and vacuum pump in Rietschle Thomas Taiwan as the factory director. He is outstanding in the inside field whether the design, production, after-sale service or the structural theory of product, awarded as "Dr. Blower" by the inside technicians of blowing machine. Emore Horn Machinery has been adhered to the principle of high-standard production, on-time delivery, 100% all-inspection and perfect after-sale service since 2006. It is the sole foreign brand of blower that established the factory in China and owns 100% shares held by Taiwan, it hasn't the flashy slogans as other China local ones without substance, counterfeit appearance and quality-neglected low-price strategy to confuse the consumers. Emore Horn Machinery is a direct line of succession and sole blower enterprise with the technological background of foreign-capital brand. It's achievement is increasing by a high percentage year by year, grabs the market of middle-high-end high-pressure blowers in China rapidly and becomes the head enterprise of it. Under the icon effect of being favored by the customers and leading professional technology, the company will develop the vacuum pump product that absolutely has the same quality as the famous brands such as Rietschle, Busch....., and offer the more competitive price compared with the international brand for serving the vast majority of customers. Please be waiting to see.

High-pressure blower is the machine that is widely demanded and used by the production and manufacturing industry, such as the blow-off of powders and granules, suction conveying, liquid mixing and bottling, burning and breeding, cooling of radiating facility and environment. Due to the negative pressure in and below the inlet of high-pressure airflow, it can also be used for suction application. As for the industry, there are many fields such as the plastic, metal, chemical, mining industry, agriculture and fishing, medicine, filling, packing, etc. greatly demand high-pressure blowers. Generally, air blowers are divided into two types: axial-flow type and centrifugal type. Axial-flow type is like placing a fan in the tube, so the air volume and pressure is not high; centrifugal type is divided into the parallel-flow type and vortex type, and vortex type blower can produce higher wind pressure. Our company specializes in researching, developing and manufacturing centrifugal side channel vortex type high pressure blowers.

Our company has more than 30 engineers and technicians who own excellent skills, also, the factory and offices cover approximately 6000 square meters space available. Our company owns the R&D and Production Department of Blower, R&D and Production Department of Electric Motor and R&D and Production Department of Vacuum Dump. Our company has precise 3D measuring tool, electric testing machine and tester of wind and pressure besides the digital lathe, drilling machine, broaching machine, balancing machine, constant temperature oven, etc. in all varieties. Different from traditional production departments, our quality assurance department is a unique unit that takes the inspection for all parts whether the self-manufacturing parts or the purchased parts. The functions, safety and packing of all finished products are inspected again before they are put in storage, ensuring all goods are perfect, thus giving the users the maximum reliability. Our products have obtained CCC and SGS issued by General Administration of Quality Supervision, Inspection and Quarantine of People's Republic of China, the quality and safety is ensured greatly, with an output of 5000 various-model machines every month.

Today, science and technology brings about new changes. Move forward, or you'll fall behind, the product brings forth the new through the old, all personnel of our company dare not be haughty and will await your instructions with the open mind. Welcome to our company and favour us with your instructions.

50HZ

單相馬達, 50HZ吸/吐性能表 Single-phase motor, 50Hz handling performance table

編號 Item	型號 Model 50HZ	額定輸出 Rated output (kw)	電壓 Voltage (V)	電流 Current (A)	電壓 Voltage (V)	電流 Current (A)	吸/吐 壓力差 Static pressure Vacuum/Compressor (mbar)	最大流量 Max volume (M ³ /min)	噪音比 Noise (Db)	重量 Weight (kg)	釋壓閥 (Relief Valve) 吸/吐 (Pressure) 型號(Type): PV-□*□	過濾器 Suction filter
E1	EHS-129	0.18	110-120	2.5	220-240	1.25	50/40	0.8	52	6.5	-	MF8
E2	EHS-229	0.4	110-120	5.5	220-240	2.6	110/130	1.4	58	11.5	01*1/01*1	MF10
E3	EHS-229L	0.4	110-120	5.5	220-240	2.6	110/130	1.4	58	12	01*1/01*1	MF10
E4	EHS-329	0.75	110-120	11	220-240	5.5	140/160	2.4	63	16	01*1/01*1	MF12
E6	EHS-329-L	0.75	110-120	11	220-240	5.5	140/160	2.4	63	16.5	01*1/01*1	MF12
E5	EHS-339	1.1	-	-	220-240	7.0	160/190	2.4	63	16.5	01*1/01*1	MF12
E7	EHS-429-2	1.1	-	-	220-240	8.5	150/150	3.6	70	26	01*1/01*1	MF16
E8	EHS-429	1.5	-	-	220-240	10	180/190	3.6	70	26	01*1/01*1	MF16
E9	EHS-429L	1.5	-	-	220-240	10	180/190	3.6	70	26.5	01*1/01*1	MF16
E10	EHS-2308	0.75	110-120	9.2	220-240	4.5	180/220	1.5	60	17.5	01*1/01*1	MF10
E11	EHS-3315	1.5	-	-	220-240	10	240/250	2.6	66	28.5	01*1/01*1	MF12

60HZ

單相馬達, 60HZ吸/吐性能表 Single-phase motor, 60Hz handling performance table

編號 Item	型號 Model 60HZ	額定輸出 Rated output (Kw)	電壓 Voltage (V)	電流 Current (A)	電壓 Voltage (V)	電流 Current (A)	吸/吐 壓力差 Static pressure Vacuum/Compressor (mbar)	最大流量 Max volume (M ³ /min)	噪音比 Noise (Db)	重量 Weight (kg)	釋壓閥 (Relief Valve) 吸/吐 (Pressure) 型號(Type): PV-□*□	過濾器 Suction filter
H1	EHS-129	0.2	110-120	2.55	220-240	1.28	70/70	1.0	55	6.5	-	MF8
H2	EHS-229	0.5	110-120	7.4	220-240	3.5	130/150	1.7	61	11.5	01*1/01*1	MF10
H3	EHS-229L	0.5	110-120	7.4	220-240	3.5	130/150	1.7	61	12	01*1/01*1	MF10
H4	EHS-329	0.85	110-120	12	220-240	6.0	140/140	2.9	64	16	01*1/01*1	MF12
H5	EHS-329-L	0.85	110-120	12	220-240	6.0	140/140	2.9	64	16.5	01*1/01*1	MF12
H6	EHS-339	1.3	-	-	220-240	7.4	180/200	2.9	64	16.5	01*1/01*1	MF12
H7	EHS-429-2	1.3	-	-	220-240	9.5	150/140	4.2	73	26	01*1/01*1	MF16
H8	EHS-429	1.75	-	-	220-240	10.8	180/170	4.2	73	26	01*1/01*1	MF16
H9	EHS-429L	1.75	-	-	220-240	10.8	180/170	4.2	73	26.5	01*1/01*1	MF16
H10	EHS-2308	0.85	110-120	11	220-240	5.4	200/220	1.8	66	17.5	01*1/01*1	MF10
H11	EHS-3315	1.75	-	-	220-240	10.8	250/260	3.0	69	28.5	01*1/01*1	MF12

50HZ

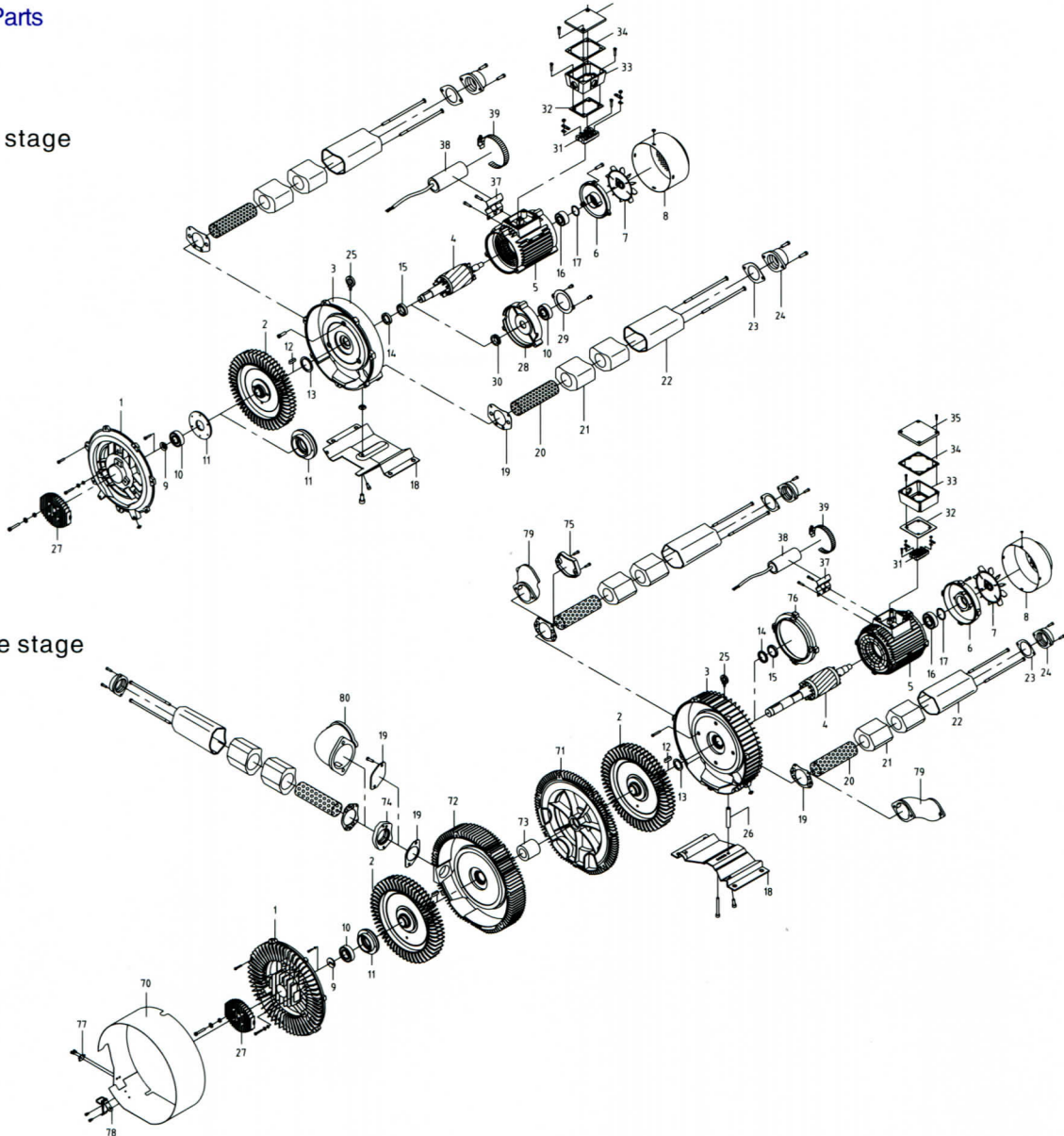
三相馬達, 50HZ吸/吐性能表 Three-phase motor, 50Hz handling performance table

編號 Item	型號 Model 50HZ	額定輸出 Rated output (Kw)	電壓 Voltage (V)	電流 Current (A)	電壓 Voltage (V)	電流 Current (A)	吸/吐 壓力差 Static pressure Vacuum/Compressor (mbar)	最大流量 Max volume (M ³ /min)	噪音比 Noise (Db)	重量 Weight (kg)	釋壓閥 (Relief Valve) 吸/吐 (Pressure) 型號(Type): PV-□*□	過濾器 Suction filter
E12	EHS-129	0.18	220-240	1.2	346-415	0.69	50/60	0.8	52	6.5	-	MF8
E13	EHS-229	0.4	220-240	2.25	346-415	1.29	110/130	1.4	58	11	01*1/01*1	MF10
E14	EHS-229L	0.4	220-240	2.25	346-415	1.29	100/130	1.4	58	11.5	01*1/01*1	MF10
E15	EHS-329	0.75	220-240	3.7	346-415	2.14	140/140	2.4	63	14.5	01*1/01*1	MF12
E16	EHS-329-1	0.9	220-240	4.2	346-415	2.4	165/180	2.4	63	15.5	01*1/01*1	MF12
E17	EHS-329-9	0.75	220-240	3.7	346-415	2.14	110/120	2.4	63	14.5	01*1/01*1	MF12
E18	EHS-329L	0.75	220-240	3.7	346-415	2.14	140/140	2.4	63	15	01*1/01*1	MF12
E19	EHS-339	1.3	220-240	4.6	346-415	2.65	175/200	2.4	63	16	01*1/01*1	MF12
E20	EHS-429-1	0.9	220-240	4.2	346-415	2.4	130/120	3.6	70	20.5	01*1/01*1	MF16
E21	EHS-429-2	1.3	220-240	5.7	346-415	3.3	180/180	3.6	70	22	01*1/01*1	MF16
E22	EHS-429	1.75	220-240	6.7	346-415	3.9	210/220	3.6	70	23	01*1/01*1	MF16
E23	EHS-429-9	1.75	220-240	6.7	346-415	3.9	140/160	3.6	70	23	01*1/01*1	MF16
E24	EHS-429L	1.75	220-240	6.7	346-415	3.9	210/220	3.6	70	23.5	01*1/01*1	MF16
E25	EHS-439	2.2	220-240	7.8	346-415	4.5	220/270	3.6	70	26	01*1/01*1	MF16
E26	EHS-529	2.2	220-240	9.5	346-415	5.5	230/220	5.2	72	32	01*1/01*1	MF16
E27	EHS-529-9	2.2	220-240	9.5	346-415	5.5	160/200	5.2	72	32	01*1/01*1	MF16
E28	EHS-529L	2.2	220-240	9.5	346-415	5.5	230/220	5.2	72	32.5	01*1/01*1	MF16
E29	EHS-629	3.4	220-240	12	346-415	6.9	255/280	5.2	72	35	01*1/01*1	MF16
E30	EHS-629L	3.4	220-240	12	346-415	6.9	255/280	5.2	72	35.5	01*1/01*1	MF16
E31	EHS-639	4.0	220-240	13.9	346-415	8.0	270/325	5.2	72	38	01*1/02*1	MF16
E32	EHS-729	5.5	220-240	21	346-415	12	270/300	9.2	74	78	01*1/02*1	MF20
E33	EHS-829	7.5	220-240	27	346-415	15.6	295/395	9.2	74	82	02*1/02*1	MF20
E34	EHS-919	9	220-240	36	346-415	20.8	200/190	18.9	76	100	-	MF32
E35	EHS-929	13	220-240	46.8	346-415	27	305/295	18.9	76	112	-	MF32
E36	EHS-939	20	220-240	66.7	346-415	38.6	350/440	18.9	76	159	-	MF32
E37	EHS-2308	0.75	220-240	3.45	346-415	2.0	200/240	1.5	60	17	01*1/01*1	MF10
E38	EHS-3319	1.75	220-240	6.7	346-415	3.9	275/320	2.6	66	25	01*1/02*1	MF12
E39	EHS-3326	2.2	220-240	7.8	346-415	4.5	280/375	2.6	66	28	01*1/02*1	MF12
E40	EHS-4337	3.4	220-240	12	346-415	6.9	345/410	3.7	74	40	02*1/02*1	MF16
E41	EHS-4346	4.0	220-240	14.3	346-415	8.3	355/495	3.7	74	43	02*1/02*1	MF16
E42	EHS-6346	4.0	220-240	14.3	346-415	8.3	360/380	5.2	75	55	02*1/02*1	MF16
E43	EHS-6355	5.5	220-240	21	346-415	12	410/515	5.2	75	72	02*1/02*2	MF16
E44	EHS-6375	7.5	220-240	27	346-415	15.6	420/580	5.2	75	80.5	02*1/02*2	MF16
E45	EHS-6455	5.5	220-240	21	346-415	12	200/220	7.8	75	70	01*1/01*1	MF16
E46	EHS-6475	7.5	220-240	27	346-415	15.6	240/275	7.8	75	80.5	01*1/01*1	MF16
E47	EHS-8310	7.5	220-240	27	346-415	15.6	360/350	9.6	76	112	02*1/02*1	MF20
E48	EHS-8315	13	220-240	46.8	346-415	27	430/600	9.6	76	142	02*1/02*3	MF20
E49	EHS-8320	20	220-240	66.7	346-415	38.6	450/700	9.6	76	160	02*1/02*3	MF20
E50	EHS-8410	7.5	220-240	27	346-415	15.6	180/145	14.2	76	110	-	MF20
E51	EHS-8415	13	220-240	46.8	346-415	27	260/260	14.2	76	140	-	MF20
E52	EHS-9320	13	220-240	46.8	346-415	27	265/255	19	75	165	-	MF32
E53	EHS-9325	20	220-240	66.7	346-415	38.6	410/375	19	75	178	-	MF32
E54	EHS-9420	13	220-240	46.8	346-415	27	160/150	32	76	170	-	MF32
E55	EHS-9425	20	220-240	66.7	346-415	38.6	260/240	32	76	200	-	MF32

零件分解圖

Analysis of Fig Parts

單段式 Single stage



雙段式 Double stage

編號 Item	中文名稱 Chinese name	編號 ITEM	中文名稱 Chinese name	編號 ITEM	中文名稱 Chinese name	編號 ITEM	中文名稱 Chinese name
1	風蓋Cover	14	羊毛氈Felted wool	27	前軸承蓋Front bearing cap	71	中風蓋Middle cover
2	風葉Blade	15	油封Oil seal	28	馬達防水蓋Middle motor cover	72	中風桶 Middle bucket
3	風桶Bucket	16	後軸承Back bearing	29	軸承固定片Bearing washer	73	葉片固定套Blade fixing set
4	轉子Rotor	17	波浪墊片Wave washer	30	VA-油封 VA-seal	74	腳管固定座Silencer socket
5	馬達Motor	18	腳座Iron base	31	接線板 Terminal board	75	出口封蓋Outlet cover
6	馬達後蓋Motor rear cover	19	腳管墊片Gasket	32	墊片Gasket	76	馬達中蓋Middle motor cover
7	散熱風扇Radiator fan	20	消音鐵網Noise damping iron	33	接線盒Terminal box	77	上箱扣Buckle(up)
8	散熱鐵葉Fan cover	21	消音海綿Noise damping sponge	34	墊片Gasket	78	下箱扣Buckle(down)
9	墊片Gasket	22	消音腳管Silencer housing	35	接線盒 Terminal cover	79	彎管Extend pipe
10	前軸承Bearing stop plate	23	出/入口牙口墊片 Gasket	37	電容器固定片Capacitor washer	80	90°彎管 90° extend pipe
11	軸承蓋Bearing seat	24	出/入口牙口Inlet/outlet thread	38	電容器Capacitor		
12	單圓鍵Rotor key	25	吊環 Ring	39	白鐵管束Steel clip		
13	墊片Gasket	26	圓管Round pipe	70	外觀鐵片Protection steel skin		