

SUBMERSIBLE PUMPS for dirty water in AISI 304

Submersible dirty water pumps made of stainless steel AISI 304, double mechanical seals ensure long life and reliability. Suitable for dirty water systems with some solids. Applications include wastewater treatment plants and final effluent pumping, irrigation and water displays. Options include with or without float switch. Solids handling up to 35mm.



SPECIFICATIONS

- Maximum liquid temperature: 50°C
- Maximum immersion: 10m
- Maximum passage of solids: 35mm

MATERIALS

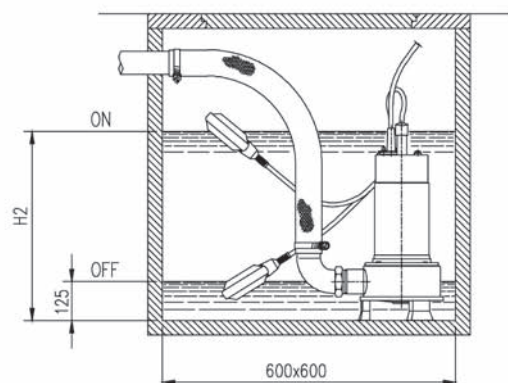
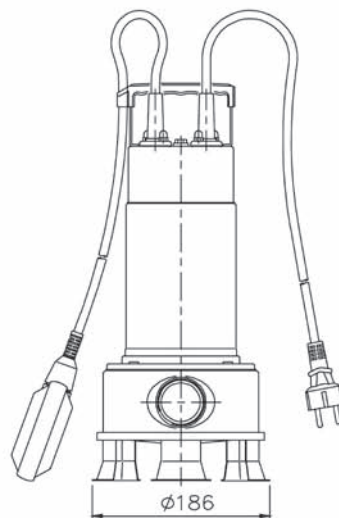
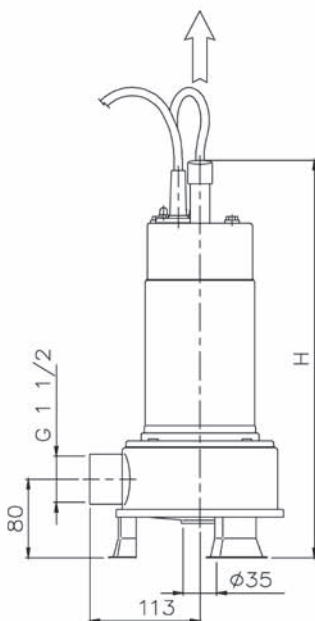
- Pump casing, impeller, cover, casing cover and motor casing in AISI 304
- Shaft in AISI 303
- Double mechanical seal with interposed oil chamber: upper in carbon/ceramic/NBR, lower in SiC/SiC/NBR

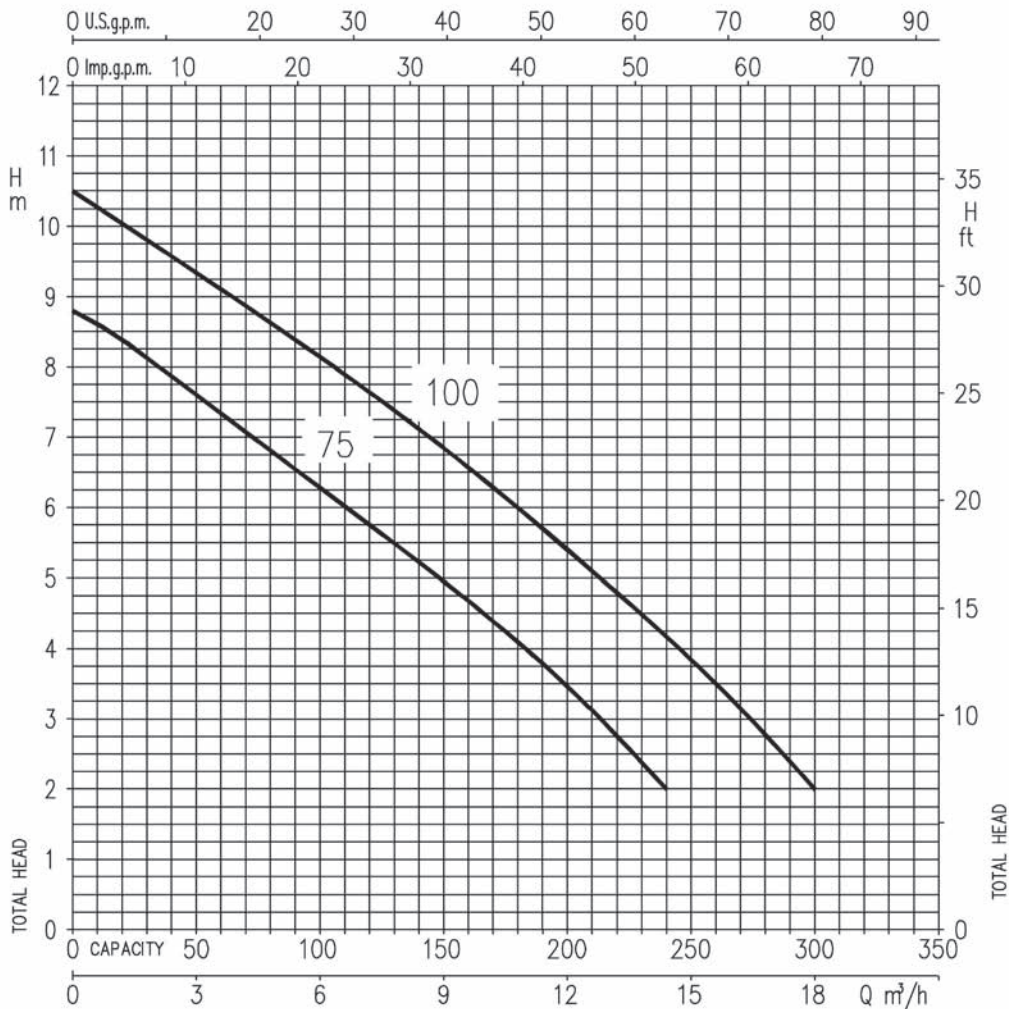
TECHNICAL DATA

- Asynchronous 2 poles motor
- Insulation: Class F
- Protection degree: IP68
- 1~230V \pm 10%, 50Hz - 3~400V \pm 10%, 50Hz
- Permanent split capacitor and automatic thermal overload protection for single-phase version
- Thermal protection to be provided by the user for three-phase version
- DNM 1" 1/2

DIMENSIONAL TABLE

Pump	(mm)		Weight kg
	H	H2	
RIGHT 75	405	480	10
RIGHT 100	430	500	11.5



PERFORMANCE CURVES
2 pole

PERFORMANCE TABLE

Pump type		kW	Capacitor		Absorbed Current (A)		I/min m³/h	Q=Capacity							
Single-phase 230V 50Hz	Three-phase 400V 50Hz		μF	Vc	1~	3~		40	80	100	120	160	200	240	300
RIGHT 75 M	RIGHT 75	0.55	20	450	4.8	2.1	7.8	6.8	6.2	5.7	4.7	3.4	2	-	
RIGHT 100 M	RIGHT 100	0.75	31.5	450	5.7	2.6	9.5	8.6	8.1	7.6	6.6	5.4	4.2	2	